

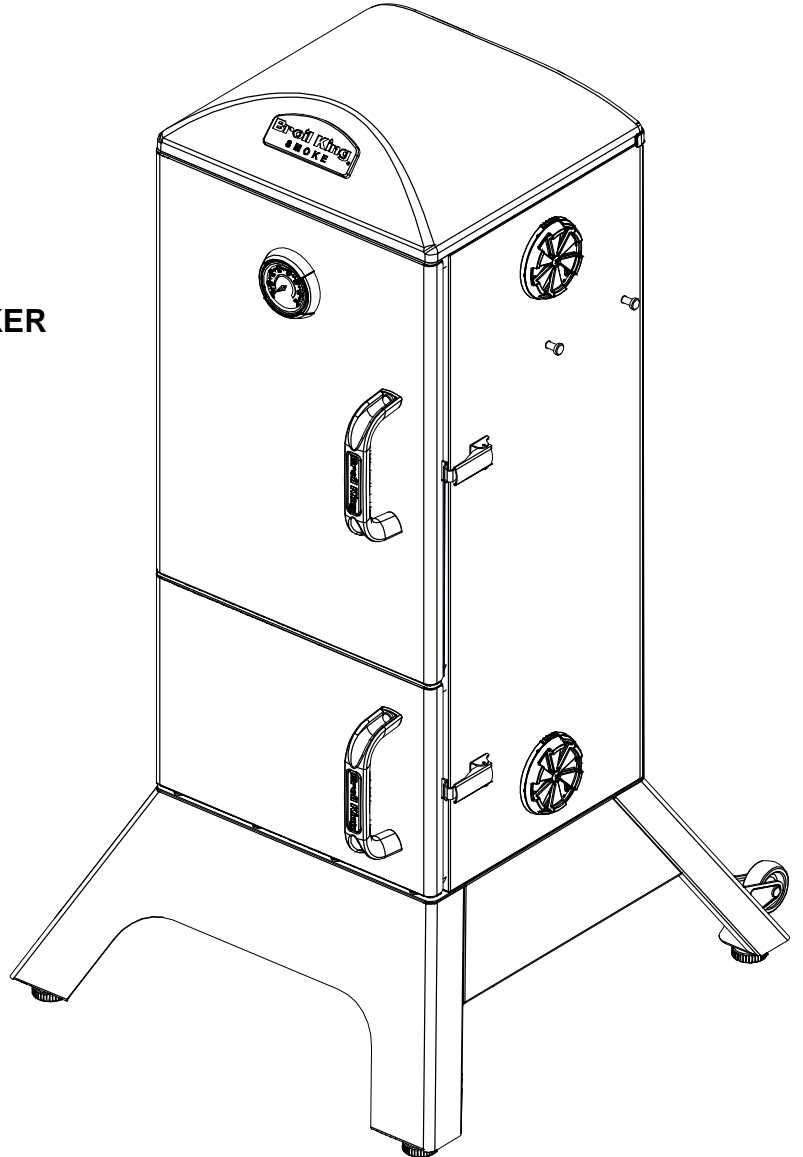
# Broil King®

## OWNER'S MANUAL

FOR USE WITH CHARCOAL VERTICAL SMOKER

### CONTENTS

INTRODUCTION .....	2
SAFETY.....	3
SMOKER PARTS.....	4
CHARCOAL .....	5
GETTING STARTED.....	5
LIGHTING.....	6
OPERATION .....	6
MAINTENANCE .....	7
RECIPES.....	8
WARRANTY.....	9
GUIDE DE L'UTILISATEUR .....	10
MANUAL DEL USUARIO .....	19



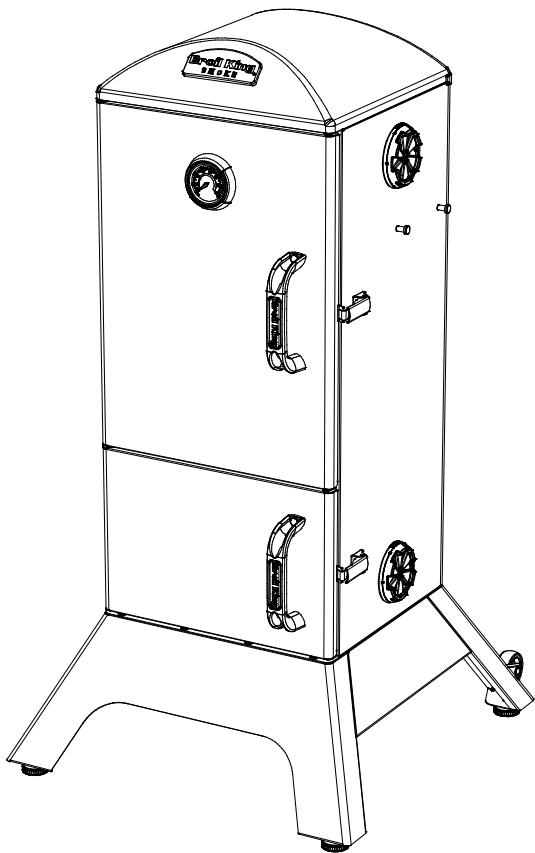
This instruction manual contains important information necessary for the proper assembly and safe use of the appliance. Read and follow all warnings and instructions before assembling and using the appliance. Follow all warnings and instructions when using the appliance.

Keep this manual for future reference.

# INTRODUCTION

## **BROIL KING® SMOKE™ VERTICAL CHARCOAL SMOKER**

The Broil King® Smoke™ Vertical Charcoal Smoker is designed to create mouth-watering, authentic smoke flavored foods. Every detail of this smoker has been precisely engineered; this attention to detail is evident throughout the vertical charcoal smoker. From durable construction and stylish accents to exceptional cooking versatility, Broil King® brings it altogether. Great food, great flavor, great barbecues every time. Your Broil King® Smoke™ Vertical Charcoal Smoker is equipped with Roto-Draft™ dampers to give you precise temperature control. It also features a two-door design, ensuring that you maintain a constant cook temperature even when you open the cook box door to add more charcoal or wood chips. The two layer cabinet design insulates the cook box from even the harshest conditions, providing consistent results every time.



# SAFETY

## **⚠ DANGER**

- This grill is designed for outdoor use only. If used indoors, toxic fumes will accumulate and cause serious bodily injury or death.
- Do not add charcoal starter fluid or charcoal impregnated with starter fluid to hot or warm charcoal.
- Do not leave children or pets unattended near a hot grill.
- Do not attempt to move a hot grill.
- Do not use grill within ten feet of any combustible material.
- Do not use unless grill is fully assembled and all parts are in place.
- Do not remove ashes until all charcoal is completely burned out and fully extinguished
- Do not use grill in high winds

## **⚠ WARNING**

- Keep the grill in a level position at all times.
- Always use charcoal trays.
- Never touch the charcoal tray or grate to see if they are hot.
- Use barbecue mitts or hot pads to protect hands while cooking or adjusting the dampers.
- Use proper barbecuing tools with long, heat-resistant handles.
- To extinguish the coals, close the doors and dampers completely.
- Do not use water, it may damage the smoker's finish.

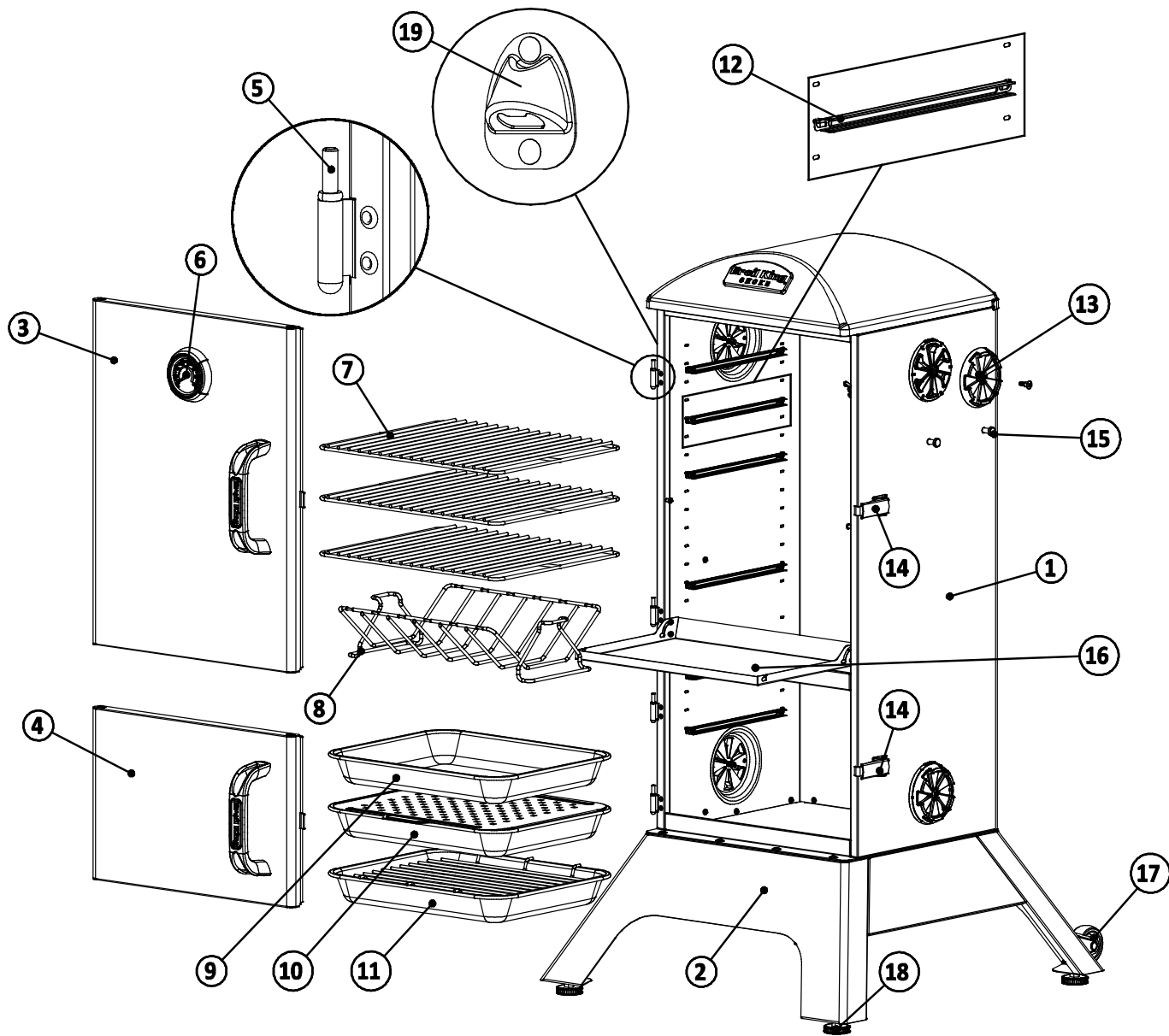
Failure to heed these danger and warning statements may cause serious injury or death; or fire or explosion resulting in damage to property.

# BROIL KING® SMOKE™ CABINET SMOKER

- 1. Cabinet Body
- 2. Cabinet Base
- 3. Upper Cabinet Door
- 4. Lower Cabinet Door
- 5. Hinge Pin
- 6. Accu-Temp Thermometer

- 7. Stainless Steel Cooking Grids
- 8. Rib / Roast Rack
- 9. Water Pan
- 10. Smoker Tray (Optional)
- 11. Charcoal Tray
- 12. Adjustable Grid Rails

- 13. Roto Draft™ Damper
- 14. Latch System
- 15. Tool Hooks
- 16. Fold-Down Drip Tray
- 17. Easy-Move Wheels
- 18. Levelling Feet
- 19. Bottle Opener



# CHARCOAL

## NATURAL LUMP CHARCOAL:

Your Broil King® Smoke™ works best with Broil King® Hardwood Lump Charcoal. Good natural lump charcoal contains no chemicals, additives, or fillers. This means your fire burns hotter, cleaner, and creates less ash than with charcoal briquettes. Broil King® Hardwood Lump Charcoal (# TCF5506) is recommended.

## FIRE STARTERS:

Starter sticks / cubes made from natural products work best. Charcoal chimney starters or electric charcoal starters also work well. Avoid using lighter fluid, as it imparts an unnatural flavor into the cooking area.

# GETTING STARTED

Remove the grates, charcoal pan, and water pan; wash thoroughly in warm, soapy water. Rinse completely and dry with a soft towel, don't air dry, and don't ever put in dishwasher.

Initial Burn-in - Before you start to cook on your Broil King® Smoke™ Vertical Charcoal Smoker you have to burn off the protective residues from manufacturing. Light your smoker, as outlined on page 5: "lighting your smoker", and maintain a fire with Roto-Draft™ vents wide open for a minimum of one hour. This will burn off any of the protective coating from manufacturing and begin the process of smoke-curing the internal components of the smoker. The more you use your smoker, the better the seasoning will be.

Warning - Always use caution when opening the lower cabinet door. Carefully open the door a crack, allow 5 seconds before opening all the way. This allows some of the heat around the charcoal tray to escape and limits chances of flare-up.

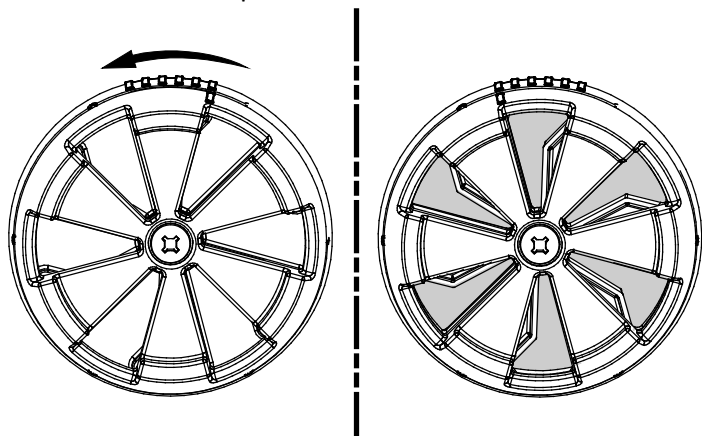
## **WARNING**

Always use caution when opening the fire box access door. Carefully open the door a crack, allow 5 seconds before opening all the way. This allows some of the heat around the charcoal tray to escape and limits chances of flare-up.

# LIGHTING

## STEP 1:

Set the Roto-Draft™ dampers to position 5 (wide open) to let the maximum amount of air in to fuel the fire. Leave the lower cabinet door open for maximum airflow.

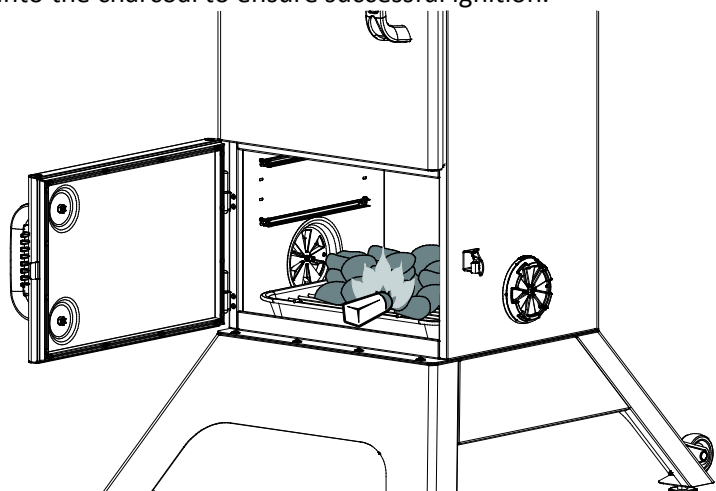


## STEP 2:

Fill the charcoal tray with 3 – 5 lbs. of hardwood lump charcoal. As you become more familiar with the Broil King® Smoke™ Vertical Charcoal Smoker, you will get a feel for how much charcoal you need for various cook times and temperatures.

## STEP 3:

If using starter sticks, light them and place into the top of the charcoal bed at two locations. If using an electric charcoal starter, place it into the middle of the charcoal bed, digging into the charcoal to ensure successful ignition.

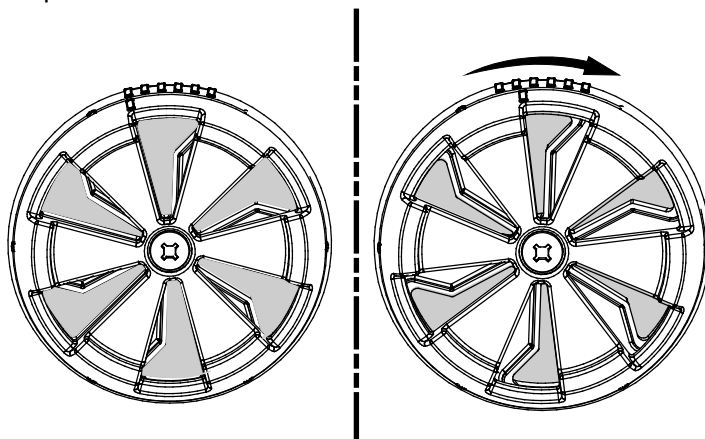


## STEP 4:

Allow the charcoal to ignite with the lower cabinet door open until charcoal is aflame.

## STEP 5:

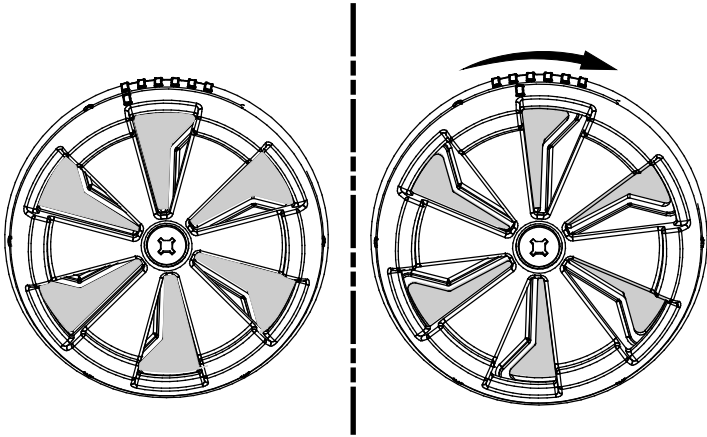
Close the fire door and adjust dampers to achieve desired temperature. Start closing dampers 50 degrees before target temperature.



# OPPERATION

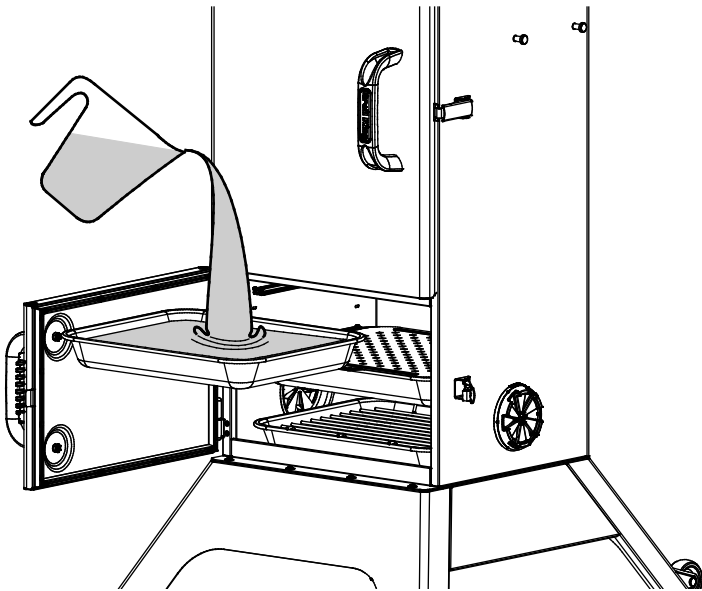
## CONTROLLING TEMPERATURE:

The Broil King® Smoke™ Vertical Charcoal Smoker allows you to control cooking temperature by regulating airflow through the intake dampers and exhaust damper. The more you open the dampers, the more air will flow through to the charcoal. The more air, the hotter the temperature. Small adjustments to the dampers will make significant changes to the cooking temperature.



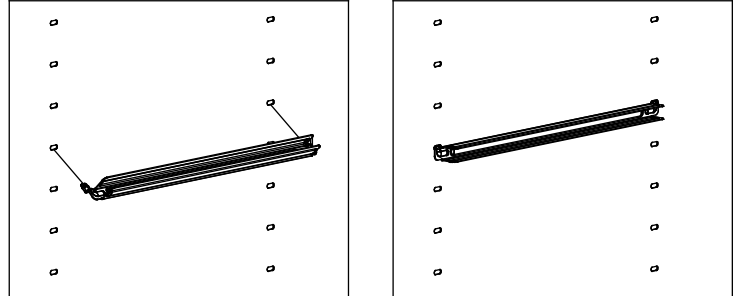
## CONTROLLING MOISTURE:

Water pan: Your vertical charcoal smoker is equipped with a water pan to keep food from drying out. Use water, juice, and other herbs and spices to create another layer of flavor as you use your smoker.



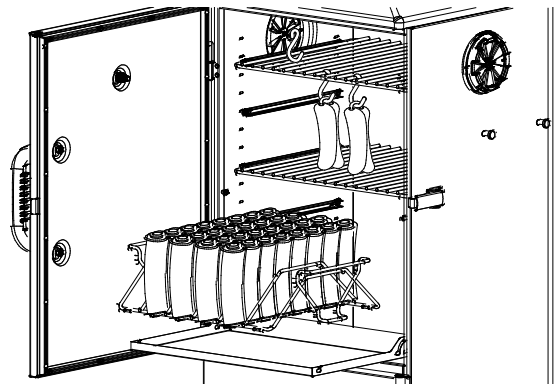
## ACCESSORIES:

Adjustable Racks: The rails for holding the cooking grids and trays are fully adjustable, allowing for most efficient use of your cabinet smoker.



Rib / Roast Rack: Your smoker includes a rib / roast rack that can be used in place of the stainless steel cooking grids. Maximize the space in your smoker by keeping ribs upright.

Stainless Steel Hooks: Leave the upper rack in place, and use the 16 hooks provided to hang sausage, chicken pieces, whole fish, and other items.



# OPPERATION

---

## **SMOKING TIPS:**

Add wood chips after charcoal is lit, but before adding meat to the smoker. Smoke flavor accumulates best on cool items that have moisture on the outside. Once the exterior of the item dries out, it will no longer take on smoke flavor.

For best results, try to maintain a temperature of 200°F to 300°F for most smoked meats. Always cook to the specified internal temperature for a given meat. That is the only way to ensure food safety.

## **TECHNIQUES:**

### **Smoking - Less than 275°F**

This classic form of barbecue involves indirect cooking of larger cuts of meat at low temperatures (less than 275°F (135°C) for a relatively long time (often 4+ hours). Using charcoal and wood chips infuses slow cooked meats and other items with smoky barbecue flavor and yields incredibly tender results.

### **Smoke roasting – 275°F – 400°F**

Also known as indirect grilling, this is similar setup to smoking; smoke roasting is an accelerated version of the same principles. It works well for more conventional roasts, chickens and items that are frequently oven roasted. The combination of smoke and cooking time creates great flavor in a shorter time than true smoking.

## **SHUTTING DOWN:**

When you're ready to shut down the Broil King® Smoke™ Vertical Charcoal Smoker, close the dampers to snuff the fire out completely.

# MAINTENANCE

After each cook, it will be necessary to empty the charcoal tray. Once cool, open the bottom door and carefully remove the charcoal tray. Empty into a bucket or other container for disposal.

The Broil King® Smoke™ Vertical Charcoal Smoker will give you many years of great service with minimal care. The seasoning process will help preserve the internal steel components. Use a stainless steel brush to clean cooking grids and components that are soiled.

Clean the exterior using warm, soapy water.

To clean the interior, use a wire-bristle grill brush to remove any debris from the cook box. The layer of oils that accumulates inside the smoker – the seasoning – is protective and does not need to be scrubbed clean with any frequency.

Always keep your Broil King® Smoke™ Vertical Charcoal Smoker covered when not in use - use Broil King® Cover # 67240

# RECIPES

---

## BBQ RUB

- 2 tablespoons brown sugar
- 1 teaspoon kosher salt
- 1 teaspoon freshly ground black pepper
- 1 tablespoon cumin
- 2 teaspoons dry mustard
- 2 teaspoons paprika
- 2 tablespoons chili powder
- 1 teaspoon onion salt
- 1 teaspoon celery salt
- 1 teaspoon garlic powder
- 1 tablespoon oregano

## SMOKED CHICKEN

- Preheat smoker to 275°F (135°C)
- 1 whole chicken, separated, or chicken pieces – thighs, wings, drumsticks, up to 5 lbs.
- Rub chicken pieces with general purpose BBQ rub, let stand 30 minutes
- Add water pan to smoker
- Add handful of apple or other wood chips to burning charcoal
- Arrange chicken on cooking grids
- Cook 2.5 – 4 hours
- Internal temperature must reach 165°F (74°C)
- Cover, let stand 10 minutes
- Serve and enjoy

## RIBS

- Preheat smoker to 250°F (121°C)
- 4 racks pork ribs
- Peel membrane from ribs
- Season liberally with barbecue rub
- Add water pan with apple juice to smoker
- Add handful of apple or other wood chips to burning charcoal
- Arrange ribs on cooking grids, or in the included rib rack
- Cook 3-4 hours
- If desired, apply barbecue sauce at this time and finish using your Broil King Gas Barbecue at 400°F for 10 – 20 minutes.
- Remove from smoker, cover and let stand 10 minutes
- Serve and enjoy

## PULLED PORK

- Preheat smoker to 225°F (107°C)
- 4 – 15 lb. Pork Shoulder (Smaller cuts will often be labelled Boston Butt or picnic shoulder)
- Season liberally with barbecue rub
- Add water pan with apple juice to smoker, set pork shoulder above pan
- Add handful of wood chips to burning charcoal
- Place pork shoulder on cooking grids
- Cook 4 + hours to an internal temperature of at least 185°F (85°C)
- Remove from smoker, wrap with foil, let stand 30 minutes
- Chop using Broil King® Super Flipper (#64011) or pull using Broil King® Meat Claws (#64070)
- Apply sauce as desired
- Serve and enjoy



# WARRANTY

---

## WARRANTY & CUSTOMER SERVICE

The OMC Warranty is effective from date of purchase and is limited to the repair or replacement of parts at no charge which prove to be defective under normal domestic use.

In Canada and the United States replacement is FOB Factory.

In all other countries replacement is FOB OMC Distributor. (Consult your dealer for name of OMC Distributor.)

All other costs are the responsibility of the owner.

This warranty is extended only to the original purchaser as indicated on the warranty registration and applies only to products sold at retail and only when used in country where purchased.

## WHAT IS COVERED:

High Heat Coated Cook Box	5 years
Remaining parts & paint	2 years

## WHAT IS NOT COVERED:

- Any failures or operating difficulties due to accident, abuse, misuse, alteration, misapplication, vandalism, improper installation or improper maintenance or service, or failure to perform normal and routine maintenance as set out in the owner's manual.
- Deterioration or damage due to severe weather conditions such as hail, hurricanes, earthquakes or tornadoes, discoloration due exposure to chemicals either directly or in the atmosphere.
- Shipping or transportation costs.
- Removal or re-installation costs.
- Labor costs for installation and repair.
- Cost of service calls.
- Liability for indirect or consequential damages.

## REPLACEMENT PARTS:

"Genuine OMC Replacement Parts" must always be used for replacement. Use of any other parts will automatically nullify the above warranty.

## WARRANTY CLAIMS:

All warranty is handled directly by OMC. Parts must be returned to OMC Warranty Department, shipping charges prepaid, accompanied by model #, Serial #, and if your grill is not registered, proof of purchase (copy of sales slip or invoice). If inspection confirms the defect, OMC will repair or replace such part in accordance with the terms of the warranty. On receipt of letter or fax (not by phone) OMC may, at is option, not require part or parts to be returned.

## OUTSIDE NORTH AMERICA:

The above warranty is administered by the OMC distributor in your country. Contact your dealer for the name of your OMC distributor.

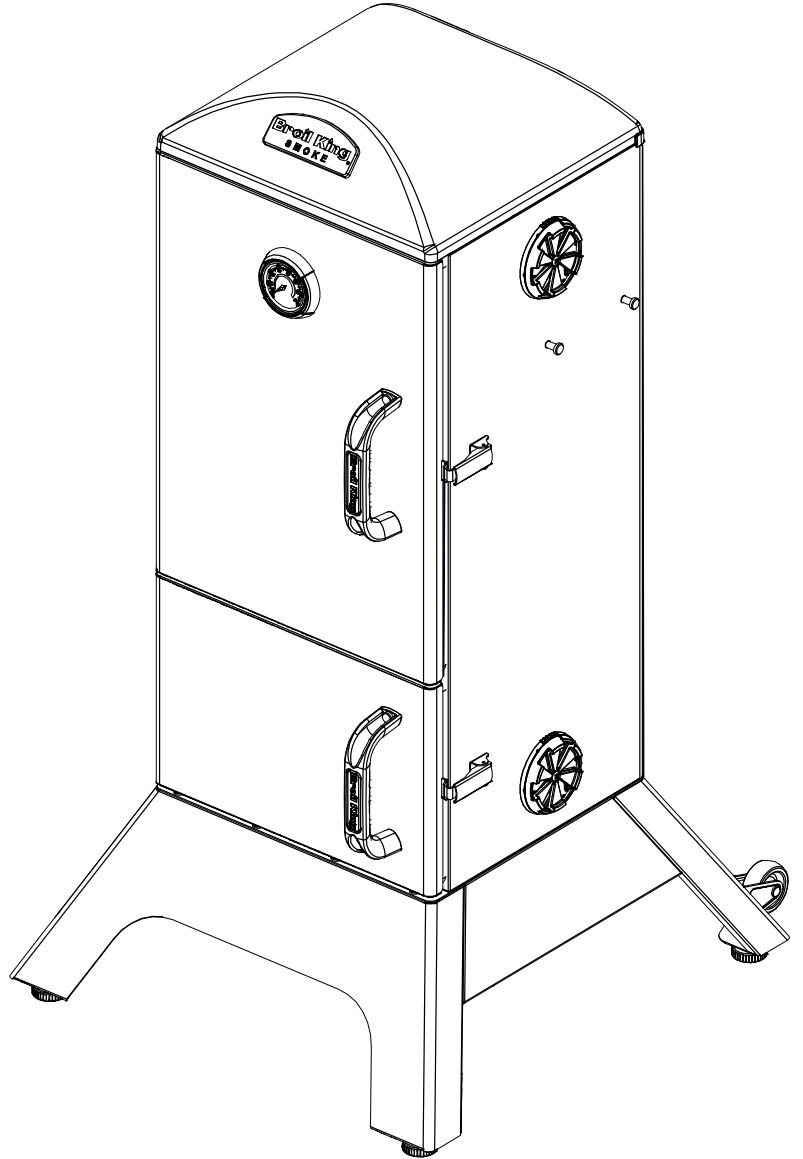
# Broil King®

## GUIDE DE L'UTILISATEUR

POUR UTILISATION AVEC  
CHARBON VERTICAL FUMEUR

### CONTENTS

INTRODUCTION .....	11
SÉCURITÉ.....	11
FUMOIR A CHAMBER SMOKE .....	12
LE CHARBON.....	13
COMMENCER.....	13
ALLUMAGE .....	14
UTILISATION .....	15
NETTOYAGE .....	16
RECETTES.....	17
GARANTIE .....	18



Ce guide de l'utilisateur contient des renseignements importants nécessaires pour l'assemblage correct et l'utilisation sécuritaire de l'appareil. Lisez et suivez tous les avertissements et directives en assemblant et utilisant l'appareil. Conserver ce guide pour des fins de référence ultérieure.

1-800-265-2150  
info@omcbbq.com

*Onward*  
MANUFACTURING COMPANY  
585 KUMPF DRIVE  
WATERLOO, ONTARIO, CANADA  
N2V 1K3

SINCE 1906

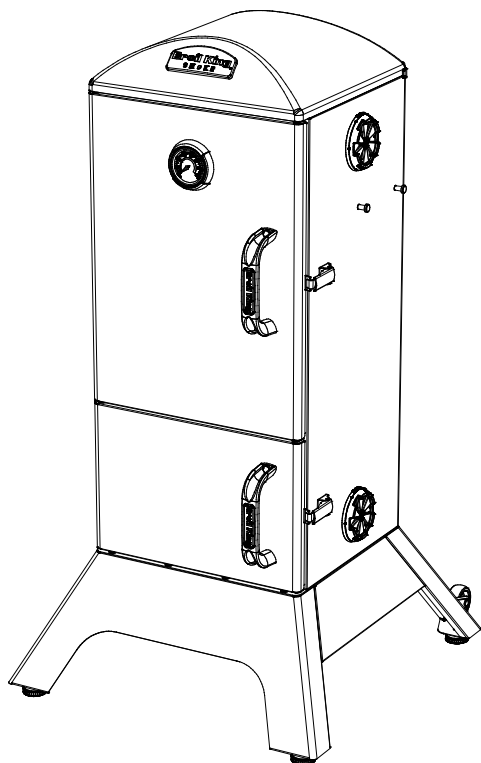
LIMITED

40094-E30 REV B 06/15

# INTRODUCTION

## FUMOIR VERTICAL AU CHARBON SMOKE<sup>MC</sup> DE BROIL KING<sup>®</sup>

Le Fumoir vertical au charbon SmokeMC de Broil KingMD est conçu pour confectionner des aliments savoureux infusés d'une saveur de fumée authentique. Chacun des aspects de ce fumoir a été précisément développé, et cette attention aux détails est évidente dans l'ensemble du fumoir vertical au charbon. De la construction durable et les accents stylisés jusqu'à la versatilité de cuisson exceptionnelle, Broil KingMD couvre tout l'essentiel, et bien plus encore. De l'excellente nourriture et une saveur incroyable signifient de superbes grillades chaque fois. Votre Fumoir vertical au charbon SmokeMC de Broil KingMD est équipé de registres Roto-DraftMC pour vous offrir un contrôle précis de la température. La conception à deux portes assure que vous maintenez une température de cuisson uniforme, même lorsque vous ouvrez la porte de la chambre à feu pour ajouter des charbons ou des copeaux de bois. L'armoire à deux couches isole la chambre de cuisson contre les conditions les plus difficiles, vous procurant des résultats constants – chaque fois.



# SÉCURITÉ

## DANGER

- Ce gril est conçu pour l'utilisation en extérieur seulement. S'il est utilisé à l'intérieur, des fumées toxiques s'accumuleront et pourront causer des blessures corporelles graves, voire la mort.
- Ne pas ajouter de l'essence ou du charbon imbibé d'essence à du charbon chaud ou tiède.
- Ne pas laisser les enfants ou les animaux s'approcher d'un gril chaud sans surveillance.
- Ne pas tenter de déplacer un gril chaud.
- Ne pas utiliser un gril à moins de dix pieds de tout matériel combustible.
- Ne pas utiliser à moins que le gril soit complètement assemblé et que les pièces soient en place.
- Ne pas enlever les cendres jusqu'à ce que le charbon soit complètement brûlé et éteint.
- Ne pas utiliser le gril sous des conditions venteuses.

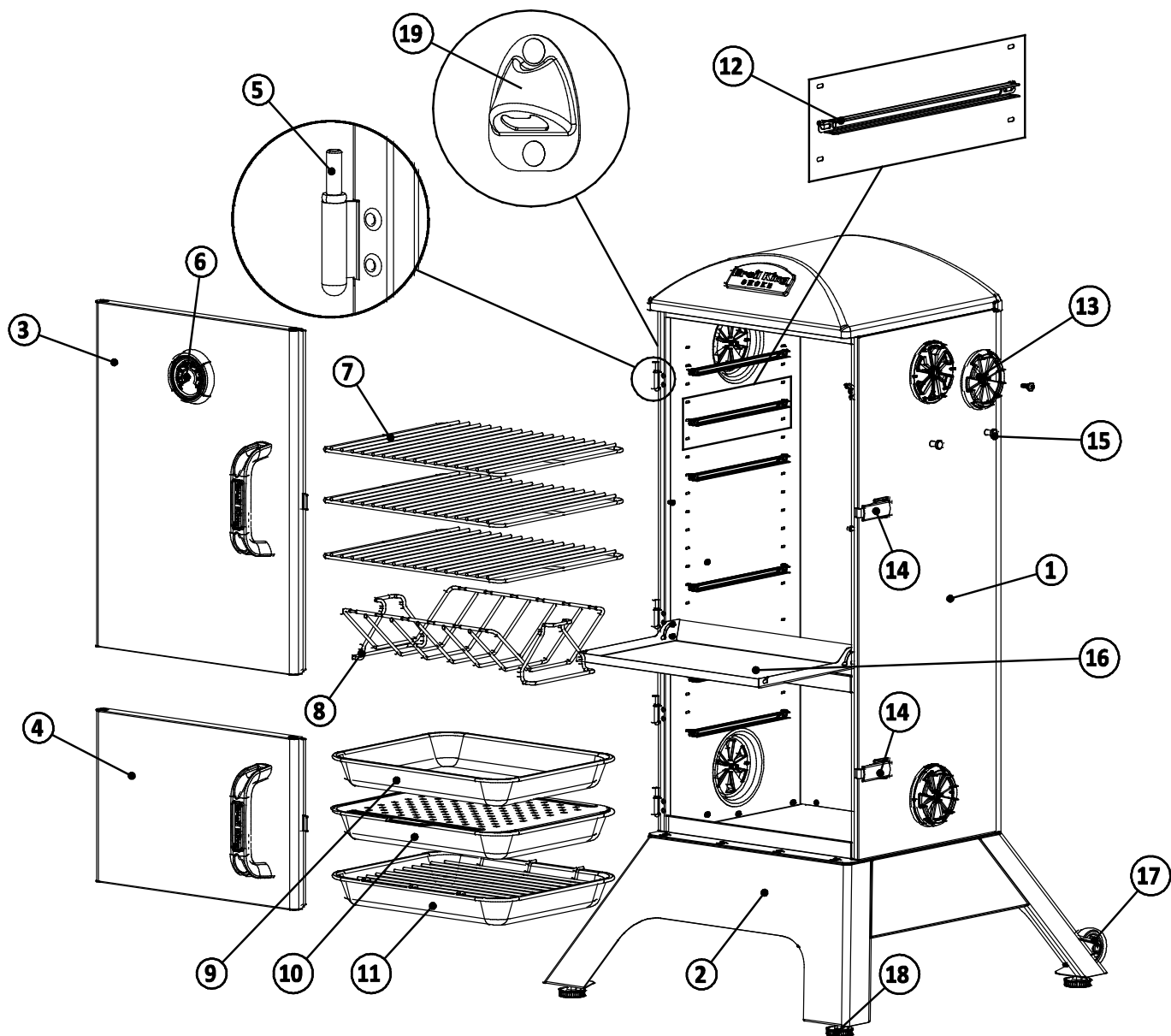
## AVERTISSEMENT

- Garder le gril sur une surface plane en tout temps.
- Toujours utiliser les plateaux et les grilles de charbon.
- Ne jamais toucher plateaux et les grilles de charbon pour voir s'ils sont chauds.
- Porter des gants de cuisine ou des protège-plat pour protéger vos mains lorsque vous cuisez ou ajustez les registres.
- Vous servir d'outils de grillade appropriés avec des poignées longues et résistantes à la chaleur.
- Pour éteindre les charbons, fermez complètement les portes et les registres. Ne pas utiliser de l'eau, car cette dernière risque d'endommager la finition du fumoir.

**Le non-respect de ces consignes et avertissements peut mener à des blessures graves, voire la mort, ou à une incendie ou explosion grave pouvant endommager la propriété.**

# FUMOIR À CHAMBRE SMOKE<sup>MC</sup> DE BROIL KING<sup>®</sup>

1. Corps de la chambre
2. Base de la chambre
3. Porte supérieure de la chambre
4. Porte inférieure de la chambre
5. Goupille de charnière
6. Thermomètre Accu-Temp Grilles
7. De cuisson en acier inoxydable
8. Plateau de côtes/rôti
9. Plateau d'eau
10. Plateau de fumage (optionnel)
11. Plateau de charbon
12. Rails de grille ajustable
13. Registre Roto Draft<sup>MC</sup>
14. Système de verrou
15. Crochets à outils
16. Plateau d'égouttement repliable
17. Roulettes à déplacement facile
18. Pattes de nivellement
19. Ouvre-bouteille



# LE CHARBON

## CHARBON NATUREL EN BLOCS:

Votre fumoir verticalé Smoke<sup>MC</sup> de Broil King<sup>MD</sup> fonctionnera bien sur avec le charbon de bois en blocs de Broil King<sup>MD</sup>. Le charbon naturel en blocs de bonne qualité ne contient aucun produit chimique, additif, ni agent de densification. Cela signifie que le feu brûle plus intensément et proprement, et qu'il crée moins de cendres que les briquettes de charbon.

Le charbon de bois en blocs de Broil King<sup>MD</sup> (#TCF5506) est recommandé.

## BÂTONNETS ALLUME-FEU:

Il est préférable d'utiliser des bâtonnets/cubes allume-feu fabriqués de produits naturels. Les cheminées de démarrage au charbon ou les allume-feu au charbon électriques fonctionnent également bien. Évitez d'utiliser de l'essence à briquet, car celle-ci confèrera une saveur artificielle aux aliments.

# COMMENCER

Retirez les grilles, les plateaux de diffusion et les plateaux de cendres; lavez-les complètement dans de l'eau tiède et savonneuse. Rincez-les complètement et séchez-les avec une serviette douce – ne les laissez pas sécher à l'air, et ne les mettez jamais au lave-vaisselle.

Brûlage initial - Avant de cuire sur votre fumoir vertical au charbon Smoke<sup>MC</sup> de Broil King<sup>MC</sup>, vous devez brûler les résidus protectifs accumulés lors du processus de fabrication. Allumez votre fumoir tel qu'indiqué à la page 5 « Allumer votre fumoir » et laissez le feu brûler pendant au moins une heure avec les registres d'entrée et d'évacuation ouverts. Ceci préviendra le durcissement des composantes internes du fumoir. Plus vous utilisez votre fumoir, plus l'assaisonnement sera délicieux.

Avertissement - Toujours être prudent(e) en ouvrant la porte d'accès de la chambre à feu. Ouvrez légèrement la porte, et attendez 5 secondes avant de l'ouvrir complètement. Ceci permettra à la chaleur autour du plateau de charbon de s'échapper et limitera les chances d'une poussée de flammes.

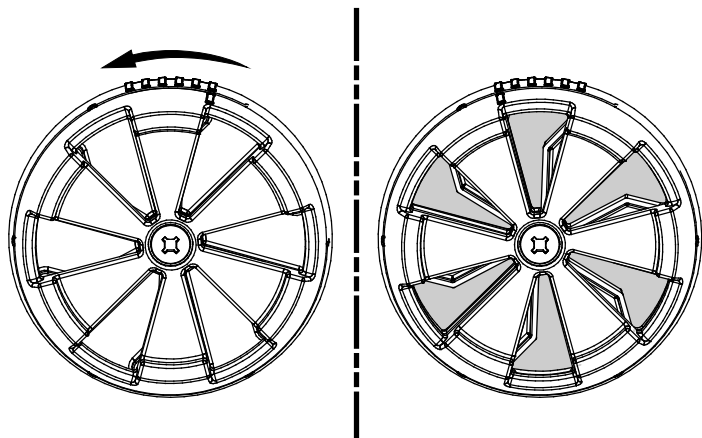
## AVERTISSEMENT

Soyez prudent(e) en ouvrant la porte d'accès de la chambre à feu. Ouvrez légèrement la porte et attendez 5 secondes avant de l'ouvrir complètement. Ceci permettra à la chaleur autour du plateau de charbon de s'échapper et limitera la possibilité d'une poussée de flammes.

# ALLUMAGE

## ÉTAPE 1 :

Mettez les registres d'entrée et d'évacuation Roto Draft<sup>MC</sup> dans la position 5 (complètement ouverts) afin de laisser entrer le maximum d'air pour alimenter le feu. Laissez la porte inférieure du cabinet ouverte pour assurer une bonne circulation d'air.



## ÉTAPE 2 :

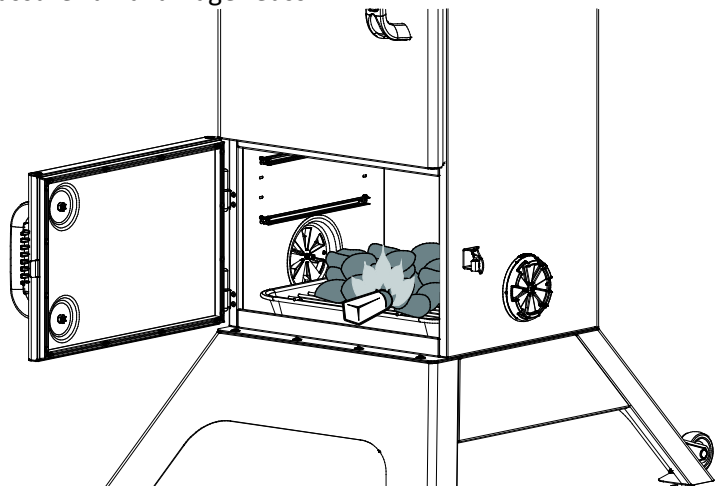
Remplissez le plateau d'environ 3 – 5 lb de charbon de bois en blocs.

Lorsque vous vous familiarisez avec le fumoir vertical au charbon Smoke<sup>MC</sup> de Broil King<sup>MC</sup>, vous pourrez mieux savoir combien de charbon est nécessaire pour les différentes durées et températures de cuisson.

## ÉTAPE 3 :

Si vous utilisez des bâtonnets allume-feu, allumez-les et placez-les à deux endroits dans la partie supérieure du lit de charbon.

Si vous utilisez un allumeur de charbon électrique, placez-le au milieu du lit de charbon, en creusant dans les blocs pour assurer un allumage réussi.



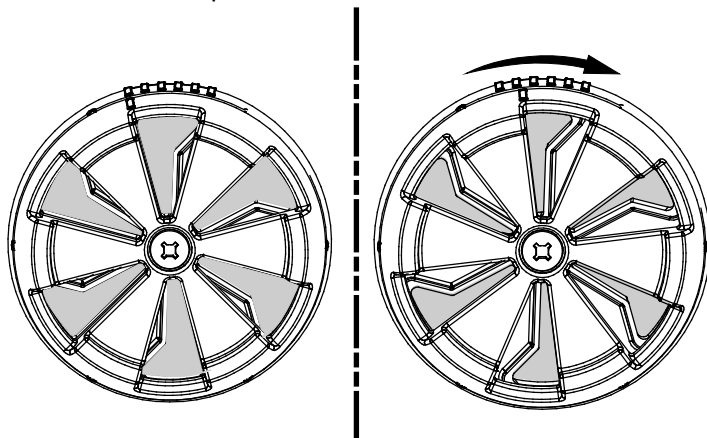
## ÉTAPE 4 :

Permet d'allumer le charbon avec la porte à feu ouverte jusqu'à ce qu'il soit enflammé.

## ÉTAPE 5 :

Fermez la porte de la chambre à feu et ajustez les registres pour atteindre la température désirée.

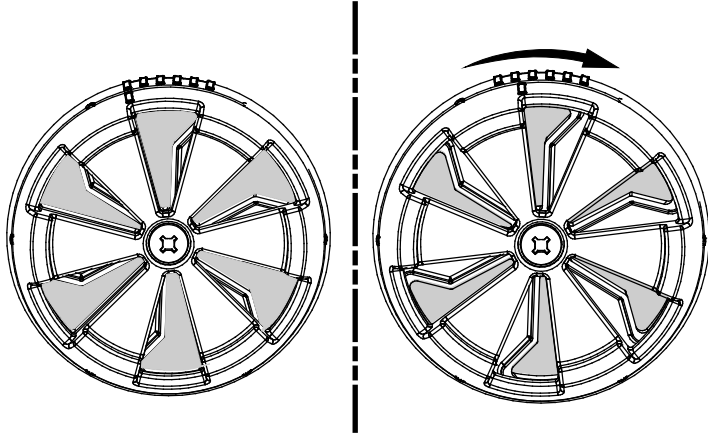
Commencez à fermer les registres à 50 degrés avant d'atteindre la température ciblée.



# UTILISATION

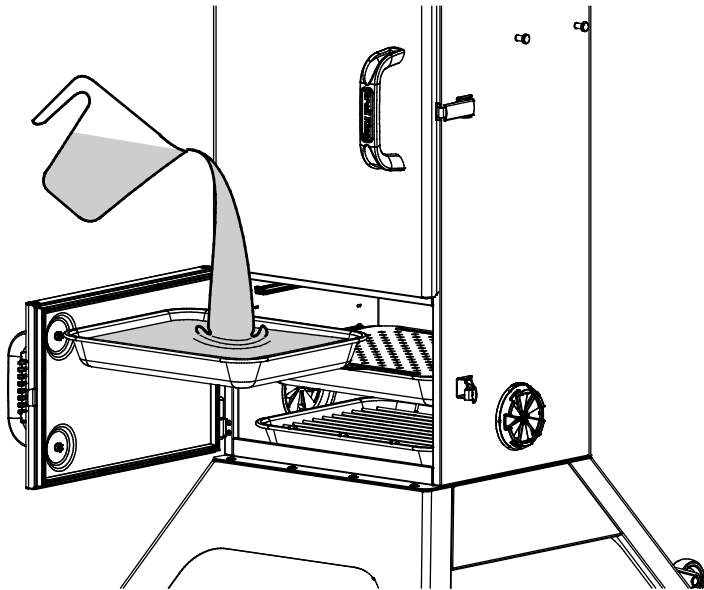
## CONTRÔLE DE LA TEMPÉRATURE :

Le fumoir vertical au charbon Smoke<sup>MC</sup> de Broil King<sup>MD</sup> vous permet de contrôler la température de cuisson en régulant le flux d'air circulant à travers des registres d'entrée et d'évacuation. Plus vous ouvrez les registres, plus l'air circule entre les charbons. Plus l'air circule entre les charbons, plus la température augmentera. De petits ajustements peuvent faire une grande différence au niveau de la température de cuisson.



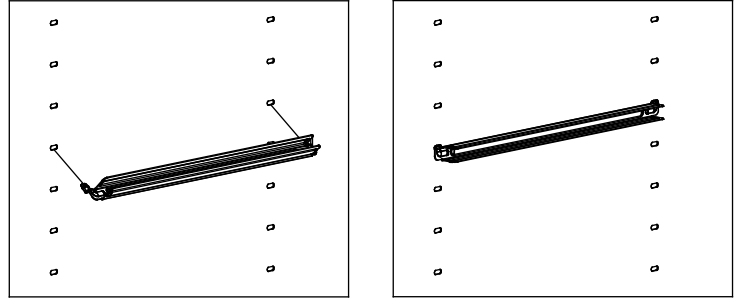
## CONTROLLING MOISTURE:

Plateau d'eau : Votre fumoir vertical au charbon est équipé d'un plateau d'eau pour prévenir l'assèchement des aliments. Utilisez de l'eau, du jus et d'autres fines herbes pour ajouter à la saveur de vos aliments fumés.



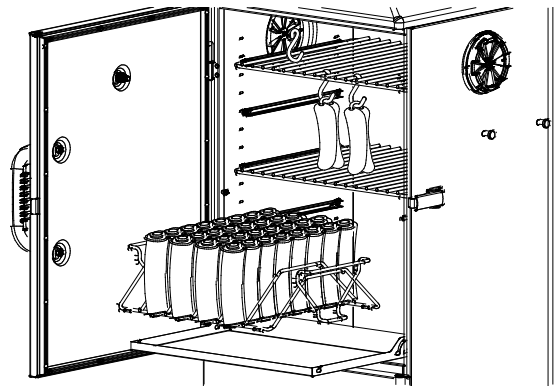
## ACCESSORIES:

Rails ajustables : Les rails qui supportent les grilles de cuisson et les plateaux sont entièrement ajustables, vous permettant d'utiliser votre fumoir à chambre plus efficacement.



Plateau de côtes/rôti : Votre fumoir est équipé d'un plateau de côtes/rôti pouvant être utilisé au lieu des grilles de cuisson en acier inoxydable. Maximisez l'espace dans votre fumoir en positionnant les côtes à l'endroit.

Crochets en acier inoxydable : Laissez le plateau supérieur en place et servez-vous des 16 crochets fournis pour suspendre des saucisses, morceaux de poulet, poissons entier, etc



# UTILISATION

## CONSEILS POUR LE FUMAGE:

Ajoutez des copeaux de bois après l'allumage du charbon, mais avant de mettre la viande dans le fumoir. La saveur de fumée s'accumule le mieux sur les aliments froids et humides. Une fois l'extérieur de l'aliment sec, celui-ci ne retiendra plus de saveur de fumée. Pour les meilleurs résultats, essayez de maintenir la température de 200 °F à 300 °F pour la majorité des viandes fumées. Toujours cuire à la température interne précisée pour une viande spécifique. C'est la seule façon d'assurer la sécurité alimentaire.

## TECHNIQUES:

### Fumage –moins de 275 OF (135 OC)

Ce type de grillade implique la cuisson indirecte de grandes coupes de viande à de basses températures (soit moins de 275 OF (135 OC) pour une période de temps relativement longue – souvent 4 heures ou plus). Le charbon et les copeaux de bois infusent les viandes cuites et les autres aliments cuits lentement d'une saveur de barbecue fumé, et produisent des viandes incroyablement tendres.

### Rôtissage Smoke - 275 OF - 400 OF (135 OC - 205 OC)

Aussi connu comme la grillade indirecte, le rôtissage à la fumée nécessite une configuration semblable à celle du fumage; il s'agit d'une version accélérée des mêmes principes. Cette méthode fonctionne très bien pour les rôtis conventionnels, les poulets et les aliments que l'on rôtit fréquemment au four. La combinaison de fumée et de temps de cuisson crée une excellente saveur dans des délais plus courts que le fumage véritable.

## ARRÊT:

Lorsque vous êtes prêt(e) à éteindre le fumoir vertical au charbon Smoke<sup>MC</sup> de Broil King<sup>MD</sup>, fermez les registres internes et externes afin d'étouffer le feu complètement.

# NETTOYAGE

Il est nécessaire de vider les plateaux à cendres après chaque session de cuisson. Une fois refroidies, ouvrez les portes d'accès de la chambre à feu et retirez le plateau à cendres avec soin. Videz-le dans un seau ou un contenant.

Le fumoir vertical au charbon Smoke<sup>MC</sup> de Broil King<sup>MD</sup> vous procurera plusieurs années de fonctionnement fiable avec très peu d'entretien. Le processus d'assaisonnement aidera à préserver les composants internes en acier. Servez-vous d'une brosse en acier inoxydable pour nettoyer les grilles de cuisson et les composants souillées.

Nettoyez la surface extérieure de l'appareil avec de l'eau chaude et savonneuse.

Pour nettoyer l'intérieur, servez-vous d'une brosse à gril métallique pour enlever les débris de la chambre de cuisson. La couche d'huile qui s'accumule à l'intérieur du fumoir – soit l'assaisonnement – agit comme couche protectrice et ne doit pas être nettoyée fréquemment.

Toujours couvrir votre fumoir vertical au charbon Smoke<sup>MC</sup> de Broil King<sup>MD</sup> lorsque vous ne l'utilisez pas – servez-vous de la housse Broil King<sup>MD</sup> #67240.



# RECETTES

---

## APPRÊT BBQ

- 2 c. à table de cassonade
- 1 c. à thé de sel Kasher
- 1 c. à thé de poivre fraîchement moulu
- 1 c. à table de cumin
- 2 c. à thé de moutarde sèche
- 2 c. à thé de paprika
- 2 c. à table de chili en poudre
- 1 c. à thé de sel d'oignon
- 1 c. à thé de sel de céleri
- 1 c. à thé de poudre d'ail
- 1 c. à table d'origan

## CÔTES LEVÉES

- Préchauffez le gril à 250 °F (121 °C)
- 4 carrés de côtes de porc
- Pelez la membrane des côtes
- Assaisonnez généreusement avec de l'apprêt BBQ
- Placez le plat d'eau rempli de jus de pomme dans le fumoir
- Ajoutez une poignée de copeaux de pommier ou autre au charbon enflammé
- Déposez les côtes levées sur les grilles de cuisson ou sur le support de côtes fourni
- Cuisez pendant 3 – 4 heures
- Ajoutez de la sauce BBQ vous le souhaitez, et cuisez dans votre gril à gaz à 400 °F pendant 10 - 20 minutes.
- Retirez les côtes du fumoir, et laissez-les reposer pendant 10 minutes
- Servez et dégustez

## POULET FUMÉ

- Préchauffez le gril à 275 °F (135 °C)
- 1 poulet entier, séparé, ou pièces de poulet – cuisses, ailes, pilons, jusqu'à 5 lb
- Couvrez les pièces de poulet d'un apprêt BBQ tout-usage, et laissez-les reposer pendant 30 minutes
- Placez le plat d'eau dans le fumoir
- Ajoutez une poignée de copeaux de pommier ou autre au charbon enflammé
- Déposez le poulet sur les grilles de cuisson
- Cuisez pendant 2,5 – 4 heures
- La température interne doit atteindre 165 °F (74 °C)
- Couvrez et laissez reposer pendant 10 minutes
- Servez et dégustez

## PORC EFFILOCHÉ

- Préchauffez le gril à 225 °F (107 °C)
- Épaule de porc de 4 – 15 lb (les plus petites coupes sont souvent appelées Palette de boston ou Épaule piquenique)
- Assaisonnez généreusement avec de l'apprêt BBQ
- Placez le plat d'eau rempli de jus de pomme dans le fumoir, et déposez l'épaule de porc au-dessus du plat
- Ajoutez une poignée de copeaux de pommier ou autre au charbon enflammé
- Déposez l'épaule de porc sur les grilles de cuisson
- Cuisez pendant 4 heures ou plus, ou jusqu'à ce que la viande atteigne une température interne d'au moins 185 °F (85 °C)
- Retirez l'épaule de porc du fumoir, et laissez-la reposer pendant 30 minutes
- Effilochez le porc à l'aide de la spatule Super Flipper de Broil King<sup>MD</sup> (#64011) ou des griffes à viande de Broil King<sup>MD</sup> (#64070)
- Appliquez de la sauce si vous le souhaitez
- Servez et dégustez

# GARANTIE

---

## GARANTIE ET SERVICE À LA CLIENTÈLE

La garantie d'OMC entre en vigueur à compter de la date d'achat, et se limite à la réparation ou au remplacement gratuit(e) des pièces qui s'avèrent être défectueuses sous des conditions d'utilisation domestique normales.

Au Canada et aux États-Unis, les pièces de remplacement sont expédiées FOB usine. Dans tous les autres pays, elles sont expédiées FOB le Distributeur OMC (veuillez consulter votre concessionnaire pour le nom du distributeur OMC).

Tous les autres coûts sont la responsabilité du propriétaire.

Cette garantie n'est accordée qu'à l'acheteur original indiqué sur le formulaire d'enregistrement de la garantie, et ne s'applique qu'aux produits vendus au détail et utilisés dans le pays d'achat. (Les différents types d'alimentation en gaz nécessitent de différents régulateurs, valves et orifices).

## CE QUI EST COUVERT PAR LA GARANTIE:

Chambre de cuisson avec revêtement résistant à la chaleur	5 ans
Autres pièces et peinture	2 ans

## CE QUI N'EST PAS COUVERT PAR LA GARANTIE:

- Toutes défaillances ou difficultés au niveau du fonctionnement causées par un accident, l'abus, une mauvaise utilisation, une modification, une mauvaise application, le vandalisme, une mauvaise installation, l'entretien/le service incorrect, ou un manquement à fournir l'entretien régulier, y compris sans limitations les dommages causés par les insectes dans les brûleurs, tel qu'indiqué dans le guide de l'utilisateur.
- La détérioration ou les dommages causés par les intempéries telles que la grêle, les ouragans, les tremblements de terre ou les tornades, la décoloration suite à l'exposition directe ou indirecte aux produits chimiques.
- Coûts d'expédition ou de transport.
- Coûts d'enlèvement ou de réinstallation.
- Coûts de main d'œuvre pour l'installation et les réparations.
- Coûts des appels de service.
- Responsabilité pour les dommages indirects ou consécutifs.

## PIÈCES DE REMPLACEMENT

Les « pièces de remplacement OMC véritables » doivent toujours être utilisées en cas de remplacement. L'installation de différentes pièces annulera automatiquement la garantie ci-dessus.

## RÉCLAMATIONS DE GARANTIE

Toutes les réclamations de garantie sont traitées directement par OMC. Les pièces doivent être renvoyées au Service de la garantie d'OMC, les frais d'expédition prépayés, accompagnées du n° de modèle et de série, et si votre gril n'est pas enregistré, de la preuve d'achat (copie du reçu de vente ou de la facture). Dans le cas où l'inspection confirme une défaillance, OMC réparera ou remplacera la pièce en question selon les provisions de la garantie. Sur la réception d'une lettre ou d'une télécopie (non par téléphone) et à sa propre discrétion, OMC peut choisir de ne pas exiger le renvoi des pièces.

## À L'EXTÉRIEUR DE L'AMÉRIQUE DU NORD

La garantie ci-dessus est administrée par le distributeur OMC dans votre pays. Veuillez contacter le détaillant pour savoir le nom de votre distributeur OMC.

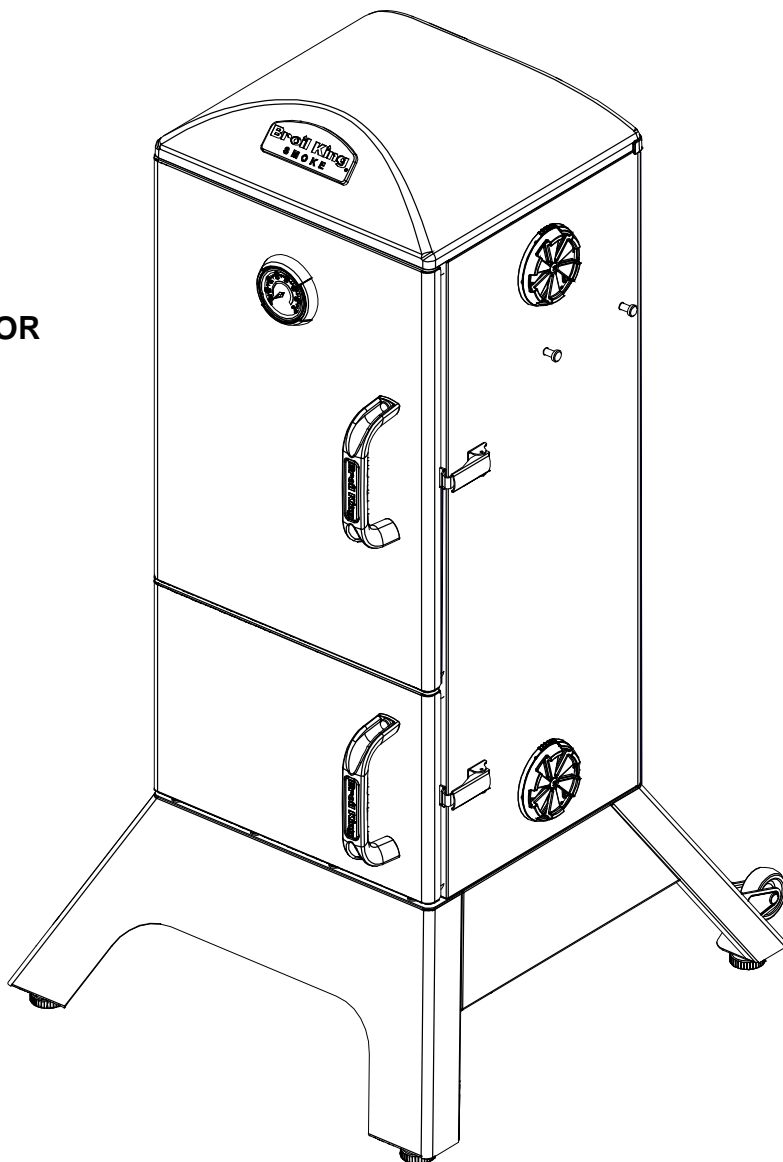
# Broil King®

## MANUAL DEL USUARIO

PARA USO CON CARBÓN VERTICAL FUMADOR

### CONTENTS

INTRODUCCIÓN.....	20
SEGURIDAD .....	20
ACERCA DE SU AHUMADOR.....	21
CARBÓN .....	22
INTRODUCCIÓN.....	22
ENCENDIDO .....	23
OPERACIÓN .....	24
MANTENIMIENTO .....	25
RECETAS.....	26
GARANTIA.....	27



Este manual de instrucciones contiene información importante y necesaria para el armado correcto y el uso seguro de este artefacto. Lea y siga todas las advertencias e instrucciones antes de armar y usar este artefacto. Siga todas las advertencias e instrucciones al usar este artefacto. Guarde este manual para futura referencia.

1-800-265-2150  
info@omcbbq.com

*Onward*  
MANUFACTURING COMPANY  
585 KUMPF DRIVE  
WATERLOO, ONTARIO, CANADA  
N2V 1K3

SINCE 1906

LIMITED

40094-E30 REV B 06/15

# INTRODUCCIÓN

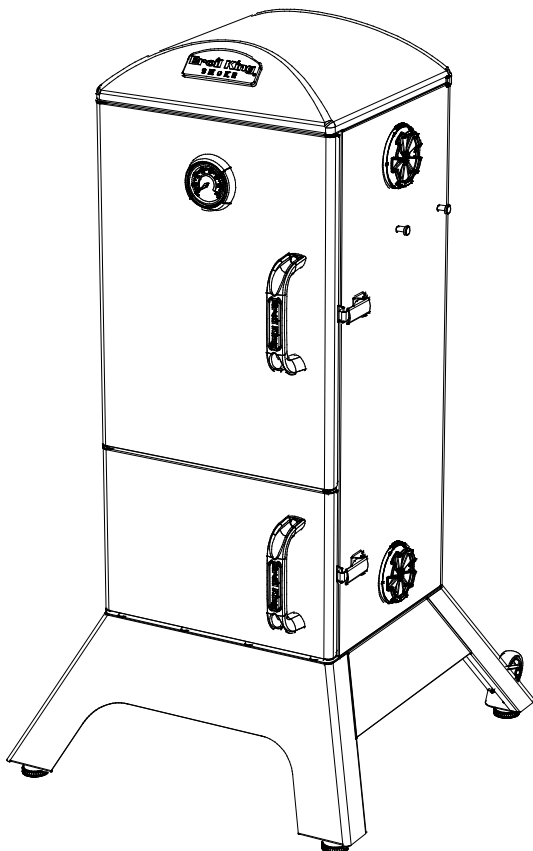
## AHUMADOR VERTICAL A CARBÓN BROIL KING® SMOKE<sup>MR</sup>

El ahumador vertical a carbón Broil King® Smoke<sup>MR</sup> está diseñado para crear comidas con delicioso y auténtico sabor ahumado.

Cada detalle de este ahumador ha sido diseñado con precisión, sus minuciosos detalles son evidentes a lo largo de todo el ahumador vertical a carbón. Desde su construcción duradera y detalles elegantes hasta su excepcional versatilidad para cocinar, Broil King® lo tiene todo.

Excelente comida, excelente sabor, excelente asado todas las veces.

Su ahumador vertical a carbón Broil King® Smoke<sup>MR</sup> está equipado con reguladores de aire Roto-Draft<sup>MR</sup> para brindarle un control preciso de la temperatura. También cuenta con un diseño de dos puertas, asegurando que pueda mantener una temperatura constante de cocción, incluso al abrir la puerta de la caja del fuego para agregar más carbón o trocitos de madera. El diseño del gabinete de dos capas sirve para aislar la caja de cocción de las condiciones más adversas, brindando resultados homogéneos todas las veces que lo use.



# SEGURIDAD

## ⚠ PELIGRO

- Esta parrilla está diseñada para sólo uso exterior. Si se utiliza en el interior, los gases tóxicos se acumularán y podría causar serias lesiones corporales o hasta la muerte.
- No agregue líquido para encender el carbón o carbón impregnado en ese líquido ya sea en carbones calientes como tibios.
- Siempre esté atento a los niños o las mascotas que están cerca de la parrilla caliente.
- No intente mover una parrilla caliente.
- No utilice la parrilla si está a una distancia de diez pies (1,50 m) de cualquier material combustible.
- No utilice la parrilla a menos que esté completamente armada con todas las piezas en su lugar.
- No retire las cenizas hasta que el carbón se haya quemado por completo y esté apagado.
- No utilice la parrilla cuando hay vientos fuertes.

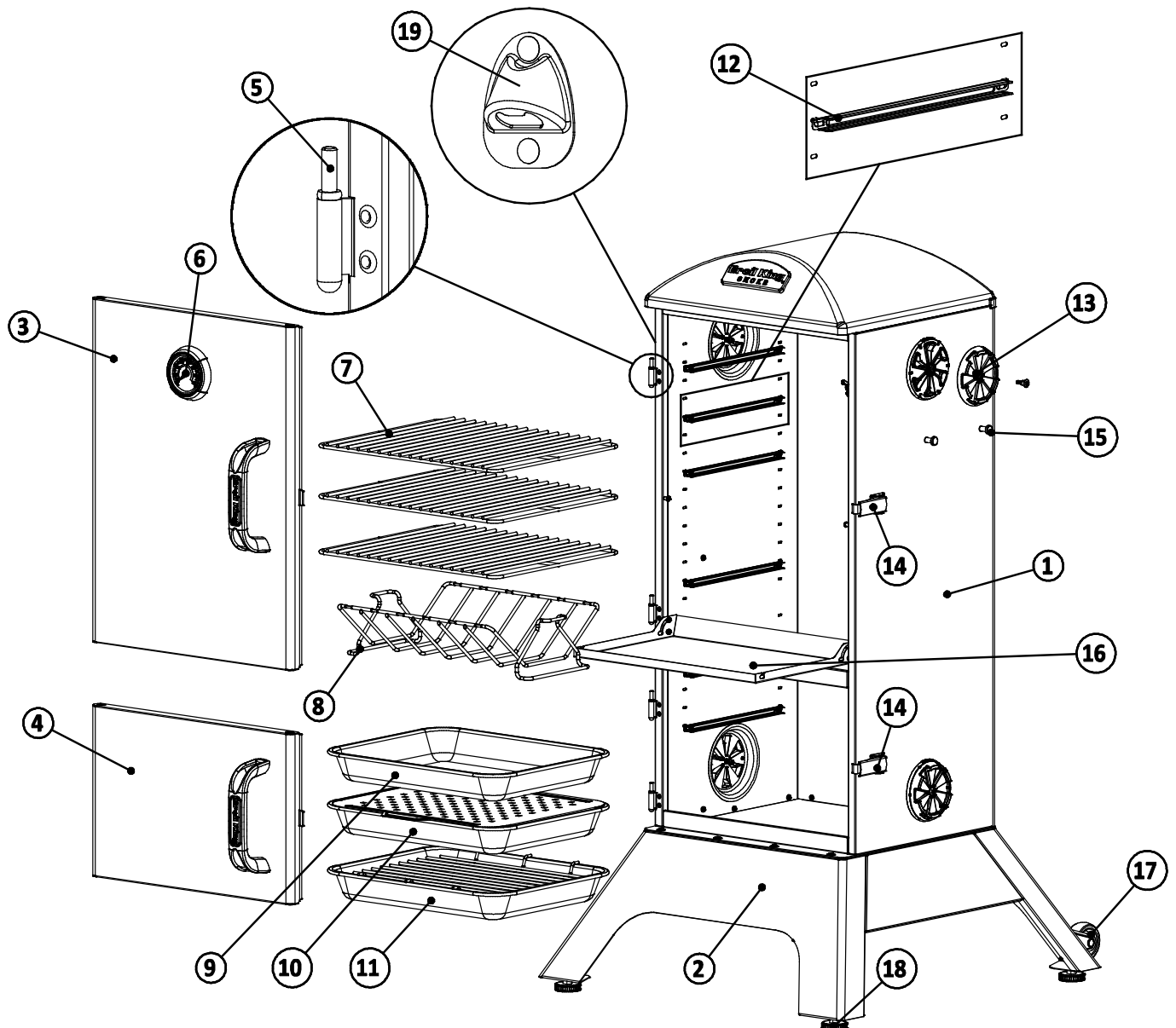
## ⚠ ADVERTENCIA

- Mantenga la parrilla nivelada todo el tiempo.
- Use siempre bandejas para carbón.
- Nunca toque la bandeja o la rejilla para el carbón para ver si están calientes.
- Para trabajar con la parrilla utilice manoplas o apósitos calientes para proteger las manos mientras está cocinando o al ajustar las ventilaciones.
- Utilice las herramientas adecuadas para la parrilla con manijas largas, resistentes al calor.
- Para apagar el carbón, cierre las tapas y ambas ventilaciones por completo. No utilice agua porque podría dañar el acabado del ahumador.

Si no tiene en cuenta estas advertencias peligrosas puede causar serias lesiones o la muerte, o provocar un incendio o una explosión y como consecuencia daños materiales.

# ACERCA DE SU AHUMADOR BROIL KING® SMOKE<sup>MR</sup>

1. Cuerpo del gabinete
2. Base del gabinete
3. Puerta del gabinete superior
4. Puerta del gabinete inferior
5. Clavija de la bisagra
6. Termómetro Accu-Temp<sup>MR</sup>
7. Rejillas de cocción de acero inoxidable
8. Bandeja para costillas/asado
9. Bandeja para el agua
10. Bandeja ahumadora (opcional)
11. Bandeja para carbón
12. Rieles ajustables para rejilla
13. Regulador de aire Roto-Draft<sup>MR</sup>
14. Trabas
15. Ganchos para herramientas
16. Bandeja de goteo plegable
17. Ruedas para moverlo fácilmente
18. Patas niveladoras
19. Destapador de botellas



# CARBÓN

## TROZOS NATURALES DE CARBÓN

Su ahumador vertical a carbón Broil King® Smoke<sup>MR</sup> puede funcionar con los Trozos de carbón de madera dura Broil King®. El buen carbón natural no contiene productos químicos, aditivos ni rellenos. Esto hace que el fuego sea más caliente, limpio y que produzca menos cenizas que con las briquetas de carbón. Le recomendamos los Trozos de carbón de madera dura Broil King® (# TCF5506).

## ENCENDEDORES:

Il est préférable d'utiliser des bâtonnets/cubes allume-feu fabriqués de produits naturels. Les cheminées de démarrage au charbon ou les allume-feu au charbon électriques fonctionnent également bien. Évitez d'utiliser de l'essence à briquet, car celle-ci confèrera une saveur artificielle aux aliments.

# INTRODUCCIÓN

Remueva las rejillas, bandejas para carbón y para el agua, lávelas con agua tibia y jabón. Enjuáguelas bien y séquelas con una toalla suave. No las seque al aire y nunca las ponga en el lavavajillas.

Acondicionamiento inicial - Antes de empezar a cocinar en su ahumador vertical a carbón Broil King® Smoke<sup>MR</sup> tiene que quemar los residuos protectores del proceso de fabricación. Encienda su ahumador, como se indica en la página 5 - "Encendiendo su ahumador", y mantenga un fuego con ambos reguladores de aire Roto-Draft<sup>MR</sup> completamente abiertos durante una hora como mínimo. Esto eliminará todo el recubrimiento protector del proceso de fabricación y comenzará a ahumar los componentes internos del ahumador. Cuanto más use su ahumador, mejor acondicionado estará.

Advertencia - Tenga siempre cuidado al abrir la puerta del gabinete inferior.

Abra cuidadosamente un poquito la puerta y espere 5 segundos antes de abrirla del todo. Esto permite que salga algo del calor atrapado alrededor de la bandeja del carbón y limita la posibilidad de una llamarada.

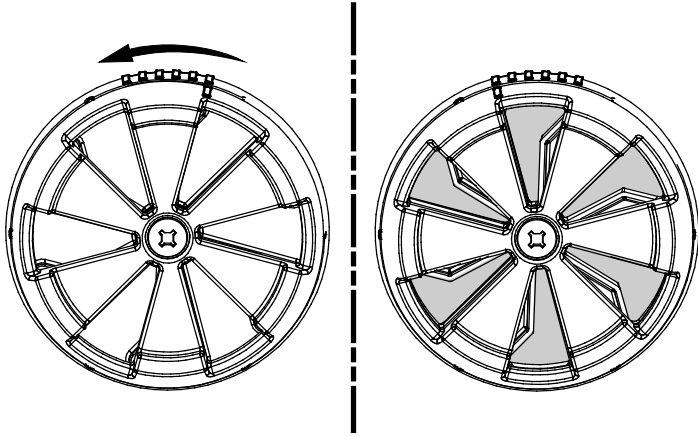
## **ADVERTENCIA**

Tenga siempre cuidado al abrir la puerta de acceso de la caja del fuego. Abra cuidadosamente un poquito la puerta y espere 5 segundos antes de abrirla del todo. Esto permite que salga algo del calor atrapado alrededor de la bandeja del carbón y limita la posibilidad de una llamarada.

# LIGHTING

## STEP 1:

Set the Roto-Draft™ dampers to position 5 (wide open) to let the maximum amount of air in to fuel the fire. Leave the lower cabinet door open for maximum airflow.

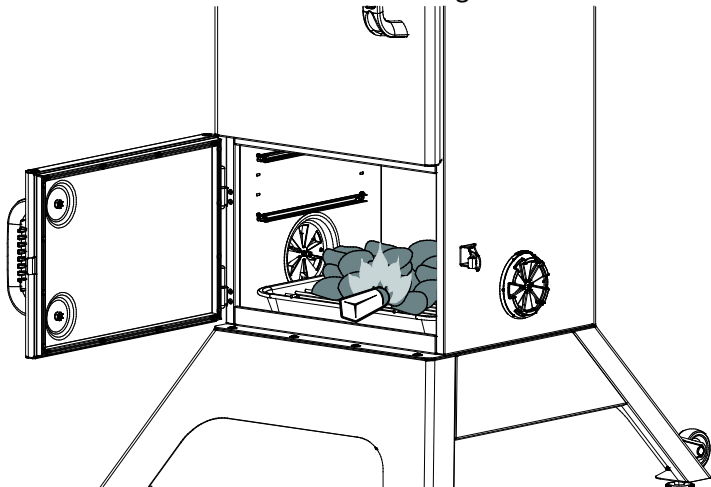


## STEP 2:

Fill the charcoal tray with 3 – 5 lbs. of hardwood lump charcoal. As you become more familiar with the Broil King® Smoke™ Vertical Charcoal Smoker, you will get a feel for how much charcoal you need for various cook times and temperatures.

## STEP 3:

If using starter sticks, light them and place into the top of the charcoal bed at two locations. If using an electric charcoal starter, place it into the middle of the charcoal bed, digging into the charcoal to ensure successful ignition.

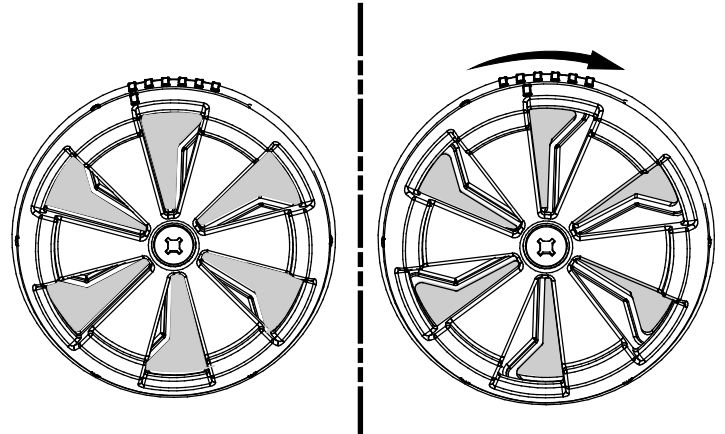


## STEP 4:

Allow the charcoal to ignite with the lower cabinet door open until charcoal is aflame.

## STEP 5:

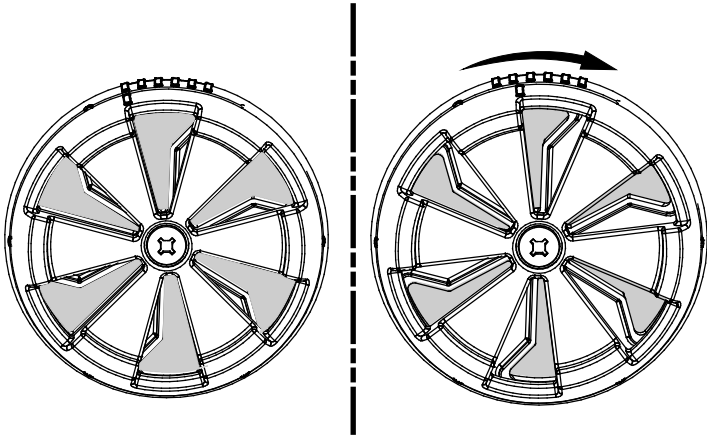
Close the fire door and adjust dampers to achieve desired temperature. Start closing dampers 50 degrees before target temperature.



# OPERACIÓN

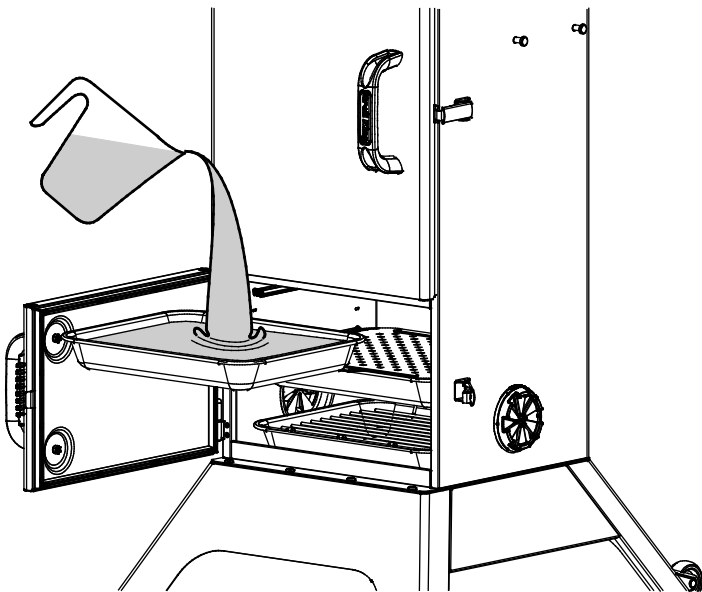
## CONTROL DE TEMPERATURA:

El ahumador vertical a carbón Broil King® Smoke<sup>MR</sup> le permite controlar la temperatura regulando la circulación de aire a través de las ventilaciones de entrada y de salida. Cuanto más abiertos estén las ventilaciones, circulará más aire a través del carbón. Cuanto más aire, mayor será la temperatura. Pequeños ajustes en las ventilaciones producirán cambios importantes en la temperatura de cocción.



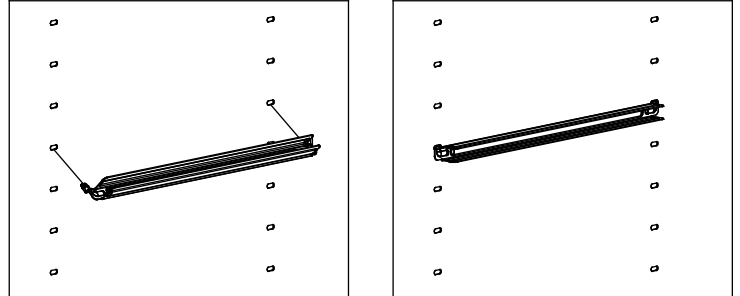
## CONTROL DE HUMEDAD:

Bandeja para el agua: Su ahumador vertical a carbón viene equipado con una bandeja para agua, para evitar que se seque la comida. Use agua, jugos y otras hierbas y especias para crear otra capa de sabor mientras usa el ahumador.



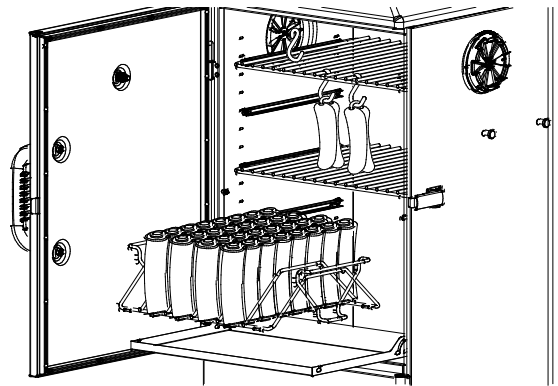
## ACCESORIOS DE COCCIÓN

Estantes ajustables: Los rieles que sostienen las rejillas de cocción y las bandejas son completamente ajustables, permitiendo el uso más eficiente de su ahumador.



Bandeja para costillas/asado: Su ahumador incluye una bandeja para costillas/asado que se puede usar en lugar de la rejilla de acero inoxidable. Maximice el espacio de su ahumador manteniendo las costillas juntas entre sí.

Ganchos de acero inoxidable: Deje el estante superior en su lugar y use los 16 ganchos incluidos para colgar salchichas, trozos de pollo, pescados enteros y otros artículos.





# OPERACIÓN

## CONSEJOS PARA AHUMAR:

Agregue trocitos de madera una vez que el carbón se haya encendido, pero antes de agregar la carne en el ahumador. El sabor ahumado se acumula mejor en artículos fríos que tienen humedad en el exterior. Una vez que se seque el exterior del artículo, no absorberá más sabor ahumado.

Para obtener los mejores resultados, trate de mantener una temperatura de 200 °F a 300 °F para la mayoría de las carnes ahumadas. Cocine siempre hasta la temperatura interna especificada para cada tipo de carne. Esa es la única forma de asegurar que esté bien cocida.

## TÉCNICAS

Ahumado - A menos de 275 °F

Esta clásica forma de asar utiliza cocción indirecta de cortes grandes de carne a bajas temperaturas (menos de 275 °F (135 °C)) durante relativamente mucho tiempo (unas 4 horas). El utilizar carbón y trocitos de madera impregna las carnes y otras cosas que se cocinan lentamente con sabor a asado ahumado y brinda resultados increíblemente tiernos.

Asado ahumado – 275 °F – 400 °F

También conocido como cocción indirecta, es parecido al ahumado. El asado ahumado es una versión acelerada del mismo principio. Funciona bien con cortes de carne, pollo y otras cosas más convencionales que normalmente se cocinan al horno. La combinación de ahumado y tiempo de cocción crea un gran sabor en menor tiempo que el ahumado verdadero.

## APAGADO:

Cuando esté listo para apagar su ahumador vertical a carbón Broil King® Smoke<sup>MR</sup>, cierre completamente los reguladores de aire para extinguir el fuego.

# MANTENIMIENTO

Deberá vaciar la bandeja de carbón cada vez que termine de cocinar. Una vez que se haya enfriado, abra la puerta inferior y remueva cuidadosamente la bandeja de carbón. Vacíela en un cubo o en otro recipiente para su desecho.

El ahumador vertical a carbón Broil King® Smoke<sup>MR</sup> le brindará muchos años de excelente servicio con un mínimo de cuidado. El proceso de acondicionamiento ayudará a preservar los componentes internos de acero. Use un cepillo de acero inoxidable para limpiar las rejillas de cocción y los componentes que estén manchados.

Limpie el exterior con agua tibia jabonosa.

Para limpiar el interior, utilice un cepillo de alambre para parrillas para remover la suciedad de la caja de cocción. La capa de ahumado que se acumula dentro del ahumador (acondicionamiento) sirve de protección y no hace falta limpiarla periódicamente.

Mantenga siempre su ahumador vertical a carbón Broil King® Smoke<sup>MR</sup> cubierto cuando no lo use. Utilice la cubierta # 67240 de Broil King®.

# RECETAS

---

## COSTILLAS A LA PARRILLA

- 2 cucharadas de azúcar negra
- 1 cucharadita de sal gruesa
- 1 cucharadita de pimienta negra molida
- 1 cucharada de comino
- 2 cucharaditas de mostaza en polvo
- 2 cucharaditas de paprika
- 2 cucharadas de ajı molido
- 1 cucharadita de sal de cebolla
- 1 cucharadita de sal de apio
- 1 cucharadita de ajo en polvo
- 1 cucharada de oregano

## POLLO AHUMADO

- Precaliente el ahumador a 225 F (107 C)
- 1 pollo entero, trozado o pedazos de pollo (muslos, alas, patas) hasta 5 libras
- Friegue los trozos de pollo con salsa BBQ para uso general y dejelos reposar durante 30 minutos
- Agregue una bandeja de agua al ahumador
- Agregue un punado de trocitos de madera de manzano u otro tipo al carbon encendido
- Acomode el pollo en las rejillas de coccion
- Cocnelo durante 2,5 - 4 horas
- La temperatura interna debe alcanzar los 165 F (74 C)
- Tpelo y dejelo reposar por 10 minutos
- Srvalo y disfrtelo

## COSTILLAS

- Precaliente el ahumador a 250 F (121 C)
- 4 tiras de costillas de cerdo
- Remueva la membrana de las costillas
- Condimntelas bien con salsa BBQ
- Agregue una bandeja de agua con jugo de manzana en el ahumador
- Agregue un punado de trocitos de madera de manzano u otro tipo al carbon encendido
- Acomode las costillas en la rejilla de coccion o en la bandeja para costillas incluida.
- Cocnelas durante 3-4 horas
- Si lo desea, agregue salsa BBQ en este momento y termine usando su parrilla a gas Broil King a 400 F durante 10 - 20 minutos.
- Squelas del ahumador, tpelas y dejelas reposar por 10 minutos
- Srvalas y disfrtelas

## PUERCO DESMENUZADO

- Precaliente el ahumador a 225 F (107 C)
- 4 - 15 libras de paleta de cerdo (los cortes ms pequenos normalmente se llaman Boston Butt o Picnic Shoulder)
- Condimntelo bien con salsa BBQ
- Agregue una bandeja de agua con jugo de manzana en el ahumador y coloque la paleta de cerdo sobre la bandeja
- Agregue un punado de trocitos de madera al carbon encendido
- Coloque la paleta de cerdo en las rejillas de coccion
- Cocnela durante 4 horas o ms, a una temperatura interna de 185 F (85 C) como mnimo
- Squela del ahumador, envulvala con papel de aluminio y dejela reposar por 30 minutos
- Pquela con la Sper Esptula de Broil King (#64011) o desmencela con las Garras para Carne Broil King (#64070)
- Agrguele salsa al gusto
- Srvala y disfrtela

# GARANTÍA

---

## GARANTÍA Y SERVICIO AL CLIENTE

La Garantía OMC es válida a partir de la fecha de compra y está limitada a reparaciones o reemplazos de partes sin costo alguno de componentes defectuosos en condiciones normales de uso doméstico.

En Canadá y Estados Unidos, el reemplazo se realiza FOB en la Fábrica.

En todos los demás países, el reemplazo es FOB al distribuidor OMC. (Contacte a su proveedor para conocer el nombre de su distribuidor OMC).

Todos los demás costos son responsabilidad del dueño.

Esta garantía se le otorga únicamente al comprador original como se indica en el registro de garantía y es válida únicamente para productos de venta al por menor y solo cuando tales productos son utilizados exclusivamente en el país donde los compró.

### LO QUE ESTÁ CUBIERTO: :

<b>Caja de cocción con recubrimiento para alta temperatura</b>	<b>5 años</b>
<b>El resto de las partes y la pintura</b>	<b>2 años</b>

### LO QUE NO ESTÁ CUBIERTO:

- Cualquier falla o problema de funcionamiento debido a un accidente, uso indebido o incorrecto, alteración, uso para otros fines, vandalismo, instalación incorrecta o mantenimiento o reparación inadecuados, o el incumplimiento del mantenimiento de rutina, tal como se especifica en el manual del propietario.
- Deterioro o daños debidos a condiciones meteorológicas severas, como granizo, huracanes, terremotos o tornados, decoloración debido a exposición a productos químicos ya sea directamente o en el ambiente.
- Costos de envío o transportación
- Costos de devolución o reinstalación.
- Costo de mano de obra por reinstalación o reparaciones.
- Costo de llamadas de servicios técnicos.
- Responsabilidad por daños indirectos o consiguientes.

### PARTES DE REPUESTO:

Para los reemplazos, siempre debe utilizar "Partes auténticas de reemplazo de OMC". El uso de cualquier otra parte anulará automáticamente la garantía descrita anteriormente.

### RECLAMOS DE GARANTÍA

Toda la garantía es manejada directamente por OMC. Las partes deben devolverse al Departamento de Garantía de OMC, previo pago anticipado de los costos de envío, acompañado del Número del modelo, Número de serie, y si su parrilla no está registrada, la constancia de compra (copia del recibo de compra o factura). Si la inspección confirma el defecto, OMC reparará o reemplazará dicha parte de acuerdo con los términos de la garantía. Al recibir la carta o fax (no por teléfono) puede que OMC, a su criterio, no requiera la devolución de la(s) parte(s).

### FUERA DE AMÉRICA DEL NORTE

La garantía anterior es gestionada por el distribuidor de OMC en su país. Contacte a su proveedor para conocer el nombre de su distribuidor OMC.

